

ACR RCL-600A

24V 6 Million CD
Remote-Controlled Searchlight



COBHAM

The Science of Survival



ACR RCL-600A

24V 6 Million CD
Remote-Controlled Searchlight



At 6 million candela, the top-of-the-line RCL-600A pierces the darkest night. Its high-intensity 150-watt Xenon bulb and parabolic reflector provides brawny power for commercial vessels, yet its aesthetic design meets all the requirements of large pleasure yachts. Switch easily from flood to spot, and aim precisely with the self-contained remote joystick.

// Internal elevation mechanism for precise pitch control of beam

// Elevation Speed: 7.5° per second, Turning Speed: 11° per second low, 27° per second high

// Auto return brings light back to a pre-set position

// Nylon shoulder washers at base eliminate galvanic reaction

// Marine-grade aluminium enclosure for years of reliable, weatherproof service

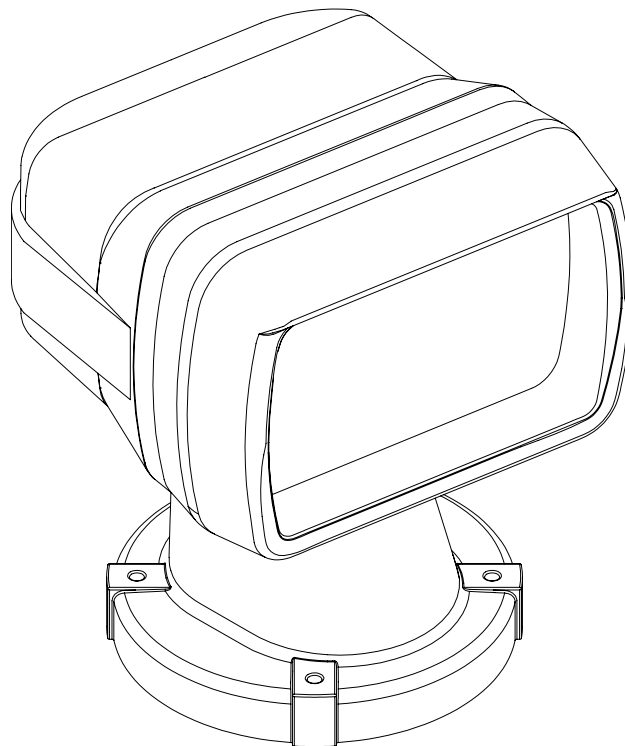
// Aesthetically designed to meet performance requirements of large pleasure yachts

// Internal elevation mechanism provides pitch control of spotlight while protecting elevation mechanism from weather

// Xenon lamp and parabolic reflector provide hyper-intense 6,000,000 candela spotlight beam

// Housing rotates a full 360° allowing all-around illumination capability

- Million Effective CD
- High Efficiency Electronics
- Ergonomic, Compact Design
- Twin 35W, Metal Halide HID Lamps
- Exclusive XRCiZ™ Feature
- Marine Tough Design for Years of Useful Service



Product Number	1941
Size	17 x 14 x 15 in (43.2 x 35.6 x 38 cm)
Weight	65 lbs (29.5 kg)
Material	Aluminum
Color	White
Operation	Remote joystick control
Beam Spread	Variable; can be narrowed or broadened
Elevation Angle	18° up, 30° down
Rotation	360° continuous
Rotation Speed	Fast 27° per second, slow 11° per second
Elevation Speed	7.5° per second
Lamp	High intensity 150W Xenon
Accessories	Secondary remote joystick (P/N 1942) 12V or 24V Replacement bulb (P/N 6007)
Footprint Diameter	11.5" (292.1 mm)
Limited Warranty	1 Year
Carton Dimensions	26 x 21 x 19.5" (66 x 53 x 50 cm)
Carton Weight	65 lbs (29.5 kg)

For further information please contact:

ACR Products
Cobham Life Support
5757 Ravenswood Rd.
Fort Lauderdale, Florida 33312 U.S.A.
Tel: 1-954-981-3333
Fax: 1-954-983-5087
www.acrelectronics.com